

# V Series Power & Line Voltage Select Slide Switches

## Features/Benefits

- Ratings up to 10 AMPS
- Snap-in panel and PC mounting
- Actuators with screwdriver slot
- Quick connect terminals available
- RoHS compliant



Models Available

## Typical Applications

- Appliances



## Specifications

CONTACT RATING: 10.1 AMPS @ 125 V AC; 4 AMPS @ 28 V DC;  
5 AMPS @ 250 V AC (UL/CSA). 2.0 (0.5) AMPS @ 250 V AC,  
T85 (VDE).

ELECTRICAL LIFE: 10,000 make-and-break cycles at full load.

CONTACT RESISTANCE: Below 10 m Ω typ. initial  
@ 2-4 V DC, 100 mA.

INSULATION RESISTANCE: 10<sup>9</sup> Ω min.

DIELECTRIC STRENGTH: 1,000 Vrms min. @ sea level.

OPERATING TEMPERATURE: -30°C to +85°C.

**NOTE:** Any models supplied with Q, B or G contact material are RoHS compliant.

**NOTE:** Specifications and materials listed above are for switches with standard options.  
For information on specific and custom switches, consult Customer Service Center.

## Materials

HOUSING: 6/6 nylon (UL94V-2), black.

TOP PLATE: 6/6 nylon (UL94V-2), black.

ACTUATOR: Glass filled polyester (UL94V-0), '01 and 02' styles,  
black (standard); '12, 13 and 14' styles, red (standard).

CONTACTS: Copper, silver plated.

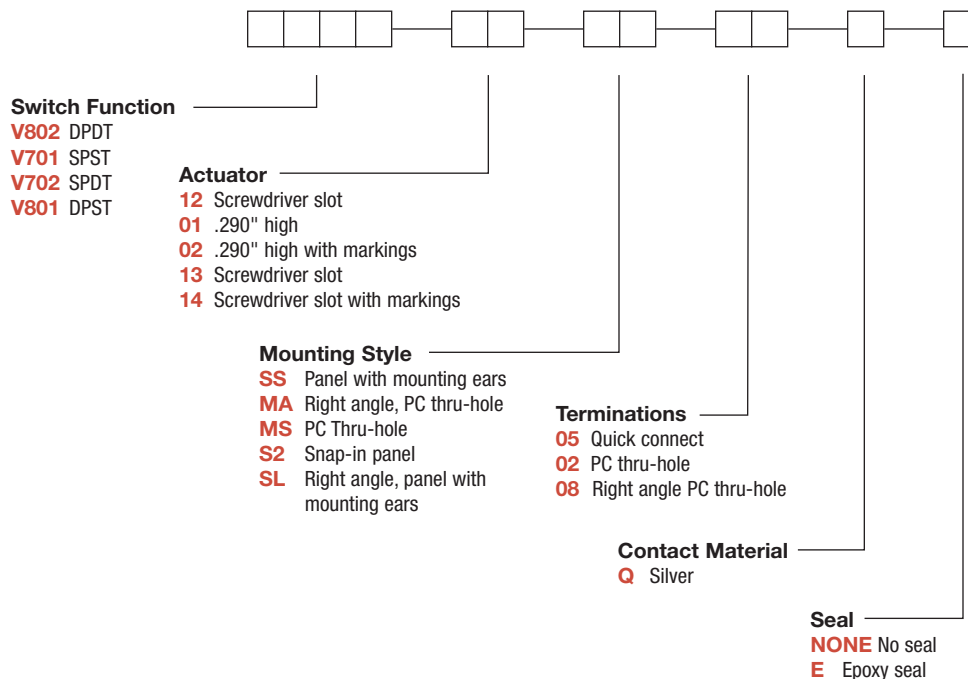
TERMINALS: Copper, silver plated.

CONTACT SPRING: Music wire or stainless steel.

TERMINAL SEAL: Epoxy.

## Build-A-Switch

To order, simply select desired option from each category and place in the appropriate box. Available options are shown and described on pages I-34 through I-36. For additional options not shown in catalog, consult Customer Service Center.



# V Series Power & Line Voltage Select Slide Switches

## SWITCH FUNCTION

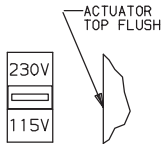
| NO. POLES | MODEL NO. | SWITCH FUNCTION | SCHEMATIC | AVAILABLE MOUNTING STYLES |
|-----------|-----------|-----------------|-----------|---------------------------|
| SP        | V701      | SPST            |           | ALL                       |
|           | V702      | SPDT            |           | ALL                       |

All models with all options.  
Contacts make on side actuator thrown.

| NO. POLES | MODEL NO. | SWITCH FUNCTION | SCHEMATIC | AVAILABLE MOUNTING STYLES |
|-----------|-----------|-----------------|-----------|---------------------------|
| DP        | V801      | DPST            |           | ALL                       |
|           | V802      | DPDT            |           | ALL                       |

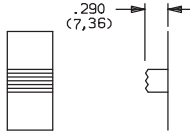
## ACTUATOR

**12** SCREWDRIVER SLOT WITH MARKING



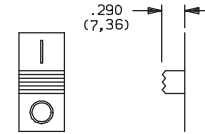
Actuator color is red with white 115V-230V markings (std.).

**01** .290" HIGH



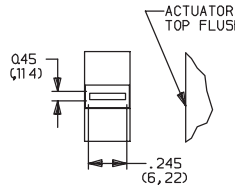
Actuator color is black.

**02** .290" HIGH WITH MARKINGS



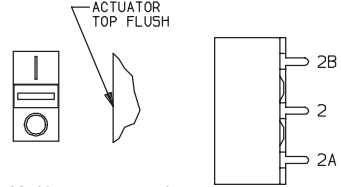
markings are reversed on V702 and V802 models. Actuator color is black with white markings (std.).

**13** SCREWDRIVER SLOT NO MARKING



Actuator color is red.

**14** SCREWDRIVER SLOT WITH MARKINGS



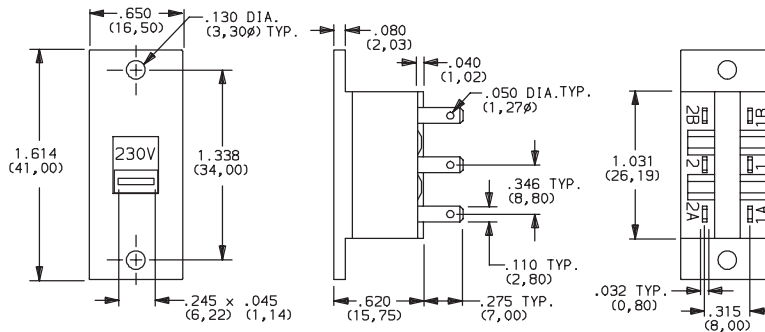
Markings are reversed on V702 and V802 models. **Note:** Orientation of actuator markings and terminals.

## MOUNTING STYLE

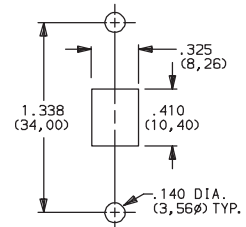
**SS** PANEL WITH MOUNTING EARS



V80212SS05Q  
DPDT



PANEL MOUNTING



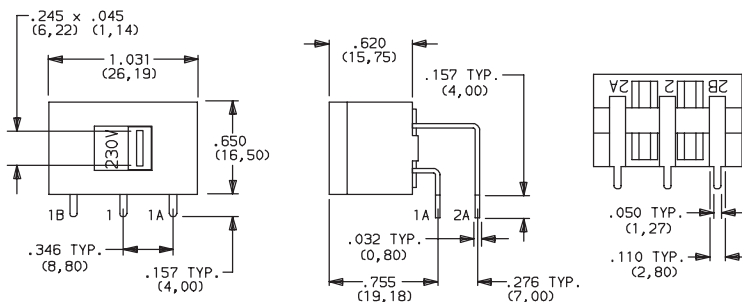
AVAILABLE WITH:

Models: All  
Terminations: 02 and 05

**MA** RIGHT ANGLE, PC THRU-HOLE



V80212MA08Q  
Horizontal Actuation  
DPDT



AVAILABLE WITH:

Models: All  
Terminations: 08

PC MOUNTING

PC mount, side actuated.  
For mounting information, see TERMINATIONS section, page I-36.



Third Angle Projection

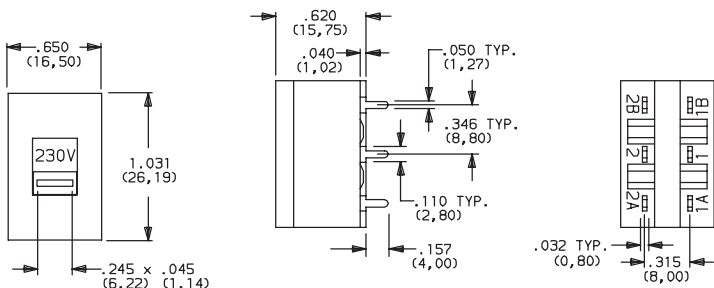
Dimensions are shown: Inch (mm)  
Specifications and dimensions subject to change



# V Series Power & Line Voltage Select Slide Switches

## MOUNTING STYLE

### MS PC THRU-HOLE



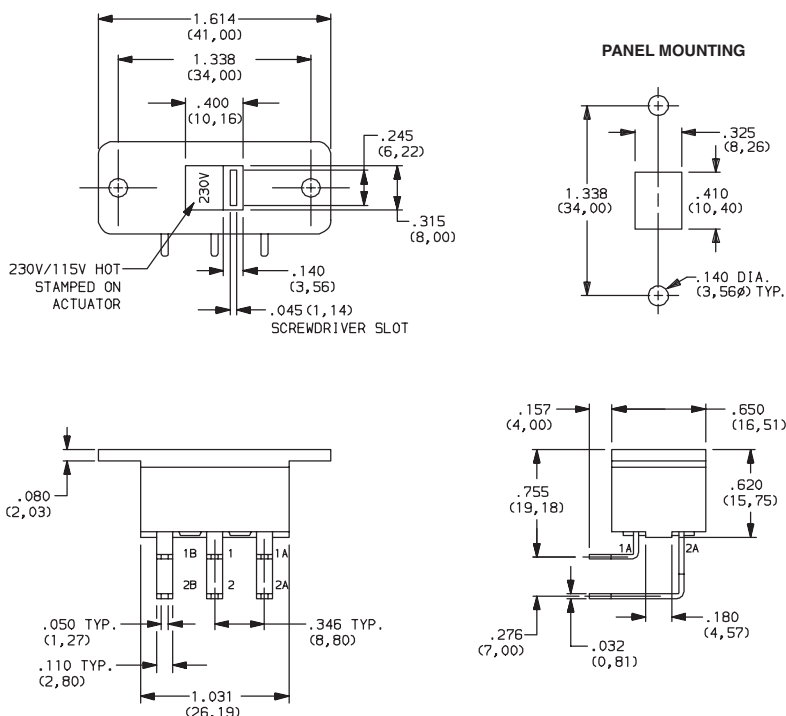
**AVAILABLE WITH:**  
All models with 02 terminations

**PC MOUNTING**  
PC mount, top actuated.  
For mounting information,  
see TERMINATIONS section, page I-36.



V80212MS02Q  
DPDT

### SL RIGHT ANGLE PANEL WITH MOUNTING EARS

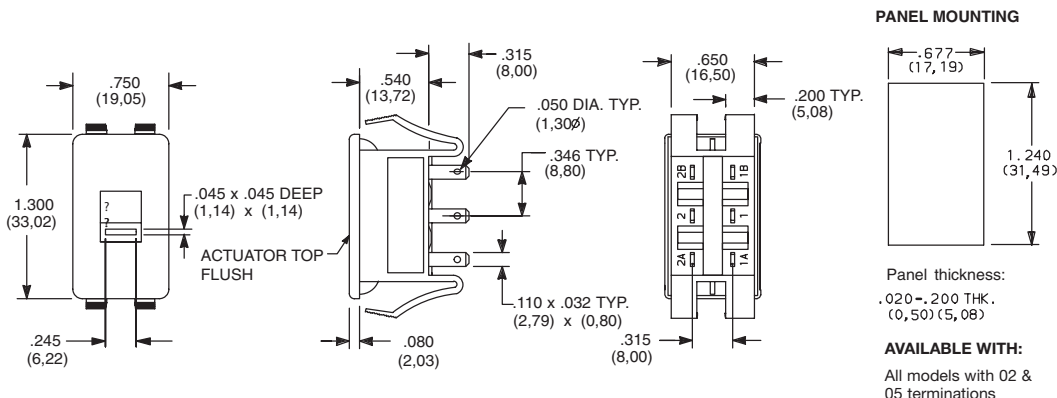


**AVAILABLE WITH:**  
All models with 08 terminations

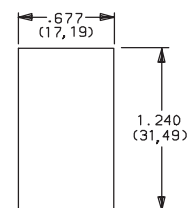


V80213SL08Q  
Horizontal Actuation  
DPDT

### S2 SNAP-IN PANEL MOUNT



#### PANEL MOUNTING



Panel thickness:  
.020-.200 THK.  
(0,50) (5,08)

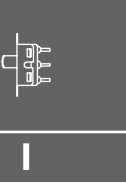
**AVAILABLE WITH:**  
All models with 02 &  
05 terminations



V80212S205Q  
DPDT



Dimensions are shown: Inches (mm)  
Specifications and dimensions subject to change

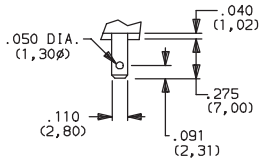


Slide

# V Series Power & Line Voltage Select Slide Switches

## TERMINATIONS

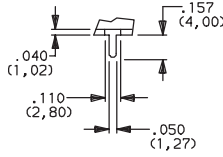
### 05 QUICK CONNECT



.032 THK.  
(0,80)

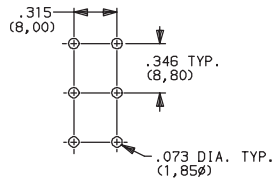
Fits .110 in. quick connector.

### 02 PC THRU-HOLE



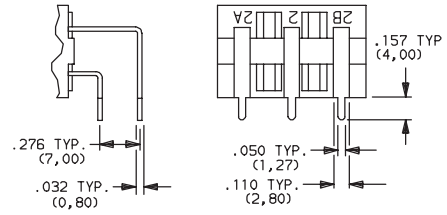
.032 THK.  
(0,80)

#### PC MOUNTING



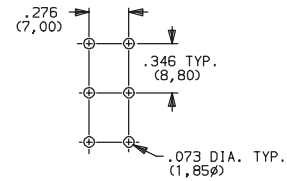
MS, SS Mounting Styles.

### 08 PC THRU-HOLE



Not available with 'MS, SS or S2' mounting styles.

#### PC MOUNTING



MA, SL Mounting Styles.

## CONTACT MATERIAL

| OPTION CODE | CONTACT MATERIAL    | RATINGS |   |
|-------------|---------------------|---------|---|
| Q           | SILVER <sup>1</sup> | POWER   | 10.1 AMPS @ 125 V AC; 4 AMPS @ 28 V DC; 5 AMPS @ 250 V AC (UL/CSA); 2.0 (0.5) AMPS @ 250 V AC, T85 (VDE). |

\* Note: See Technical Data section of this catalog for RoHS compliant and compatible definitions and specifications.

<sup>1</sup> CONTACTS & TERMINALS: Copper, silver plated (standard with all termination options).

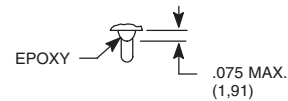
All models with all options. V70X and V80X models .

**NOTE:** Any models supplied with Q contact material are RoHS compliant.

## SEAL

**NONE** NO SEAL

**E** EPOXY SEAL



**C&K**



Third Angle  
Projection

Dimensions are shown: Inch (mm)  
Specifications and dimensions subject to change